

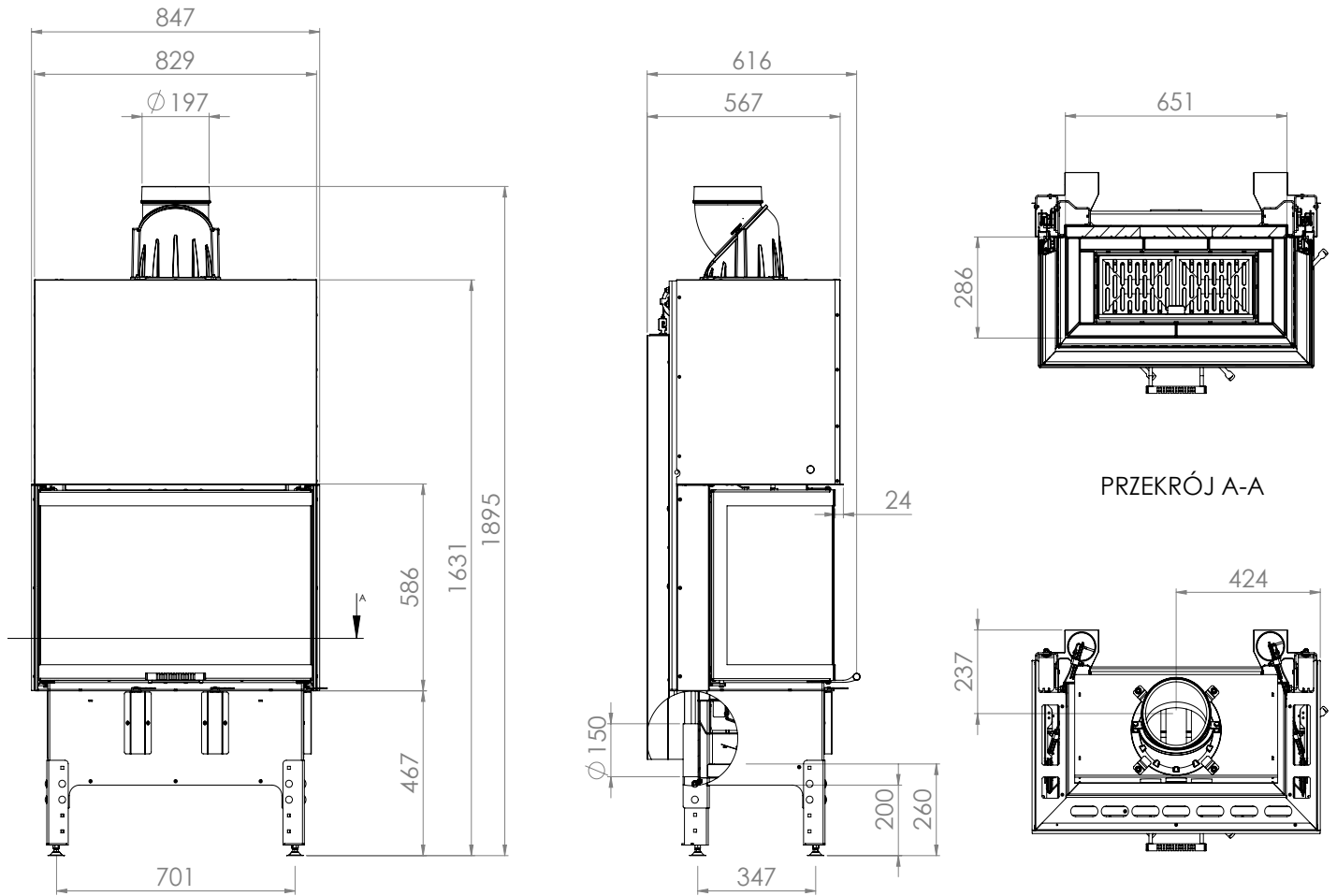
BASIC INFORMATION ABOUT THE PRODUCT



- An eye-catching three-sided insert for modern designs with maximum vision of fire.
- Opening the fireplace using a new guillotine mechanism ensuring tightness of the insert, safety against opening by children and with service access.
- Wide fireplace with a double cast iron grate (2x175 mm) in a tiltable frame and independent air supply controlled by a damper.
- The insert jacket is made of high-grade boiler steel (P265GH according to EN 10028-2) using automated production and modern CNC devices (2D, 3D laser, press brakes).
- The insert is equipped with a Ø200 cast iron spigot with 360-degree adjustment, allowing exhaust gases to be discharged in any direction.

Nominal power [kW]	12
Heating load range [kW]	6,5-15,5
Thermal efficiency [%]	78
CO emissions (at 13% O ₂) [g/m ³]	0,035
Pollen emission [g/m ³]	0,792
Average fuel consumption [kg/h]	3,3
Recommended dimensions of outlet grilles [cm ²]	840-960
Recommended dimensions of inlet grilles [cm ²]	480-780
Glass dimensions [mm]	800x350x530
Flue diameter [mm]	200
Inlet diameter [mm]	150
Weight [kg]	324
Efficiency factor	103





TRINITY

80x35x53.G